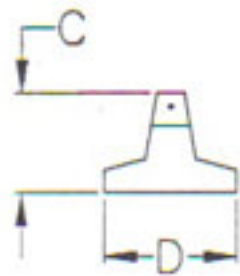
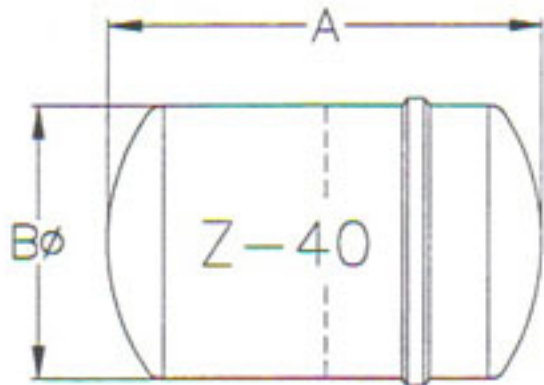
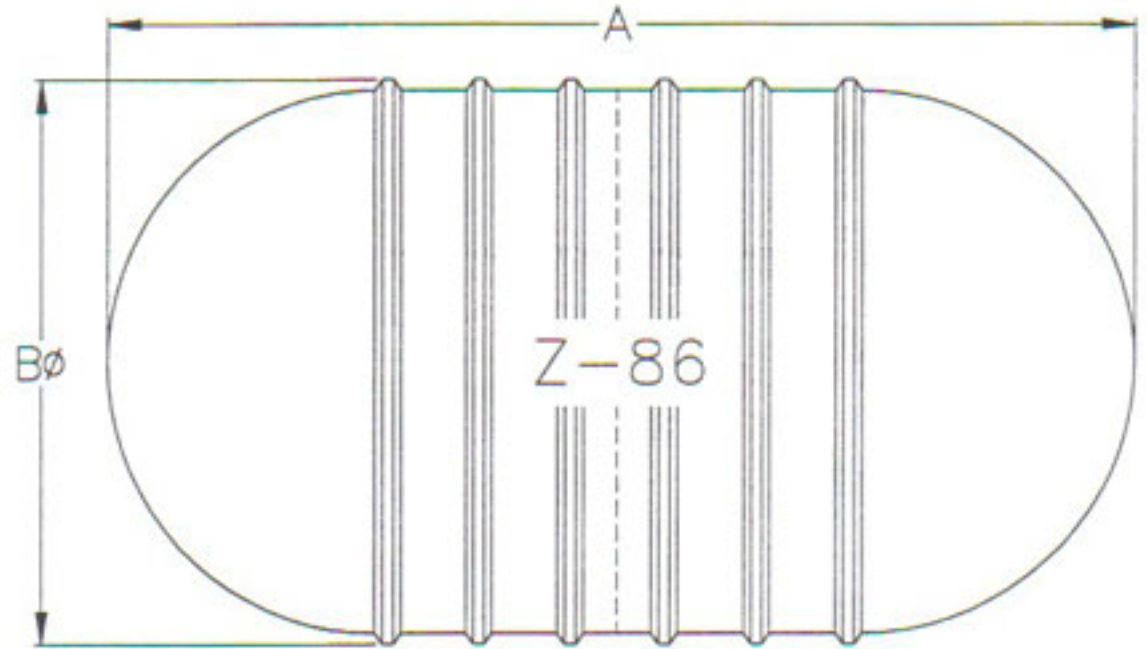
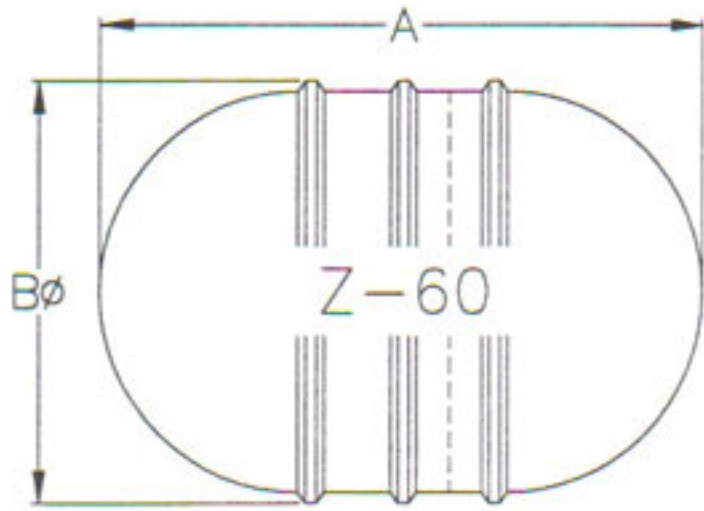



ZCL TANK SPECIFICATION SHEET


FOR Z-40, Z-60 AND Z-86 SERIES

SINGLE WALL TANKS WITH ZCL TANK ANCHORS & STRAPS



 Z40 FRP ANCHOR STRAPS (2896mm LONG) & TURNBUCKLES

 Z60 FRP ANCHOR STRAPS (4318mm LONG) & TURNBUCKLES

 Z86 FRP ANCHOR STRAPS (5740mm LONG) & TURNBUCKLES

MODEL #	ACTUAL CAPACITY	DIMENSION (mm)				NO. OF ANCHORS	NO. OF STRAPS	NOM. WEIGHT (kg)	
		A	B	C	D			TANK	ANCHORS
Z40SW - 2,500 L	2,539 L	2295	1249	305	457	2	2	182	924
Z40SW - 5,000 L	5,073 L	4368	1249	305	457	2	2	295	1,758
Z60SW - 5,000 L	5,080 L	2578	1930	457	610	2	2	202	1,712
Z60SW - 10,000 L	10,066 L	4500	1930	457	610	2	2	380	2,988
Z60SW - 15,000 L	15,314 L	6523	1930	457	610	2	2	567	4,331
Z60SW - 20,000 L	20,250 L	8426	1930	457	610	2	4	734	5,595
Z60SW - 25,000 L	25,055 L	10279	1930	457	610	4	4	788	6,825
Z86SW - 15,000 L	15,123 L	3980	2590	457	610	2	2	620	2,643
Z86SW - 20,000 L	20,440 L	5084	2590	457	610	2	2	740	3,376
Z86SW - 25,000 L	25,146 L	6061	2590	457	610	2	2	860	4,025
Z86SW - 30,000 L	30,701 L	7209	2590	457	610	2	4	980	4,787
Z86SW - 35,000 L	35,138 L	8135	2590	457	610	2	4	1,160	5,402
Z86SW - 40,000 L	40,913 L	9334	2590	457	610	4	4	1,300	6,198
Z86SW - 45,000 L	45,833 L	10361	2590	457	610	4	4	1,500	6,880
Z86SW - 50,000 L	50,172 L	11256	2590	457	610	4	4	1,610	7,474

DRAWING NO.: M/E/5223.1 SCALE: N.T.S. APP'D: DATE: DRN: LJB DATE: JAN 27/99

DATE: FEB 18/99 REVISION: MODIFIED ACTUAL CAPACITIES AND LENGTHS

ZCL
COMPOSITES INC.

PHONE: 1-800-661-8265
FAX: 1-780-466-6126